

## IF4042-2PET Transfer Adhesive

Version: 2  
Date: 1/2021  
Approved by: JNP

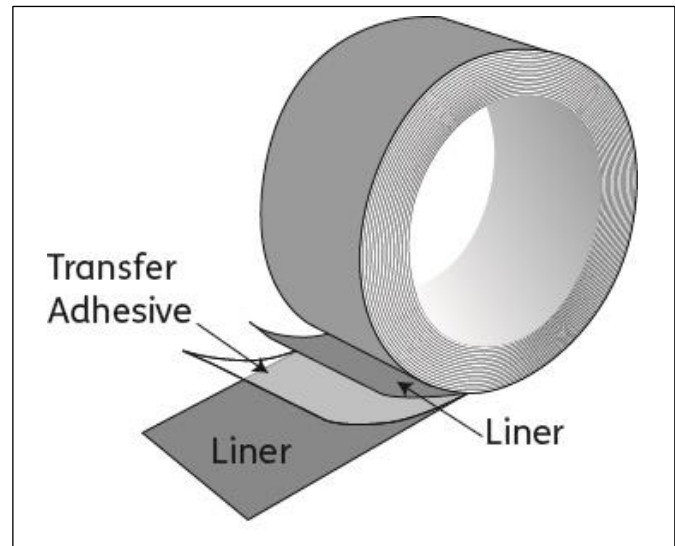
### Product Description

IF4042-2PET is a 2-mil thick film of acrylic pressure sensitive adhesive. The adhesive is protected by 2 PET release liners. This product is designed applications that require a combination high initial tack and cohesive strength with exceptionally smooth adhesive appearance.

**This product is UL969 and CSA 22.2 No.15 (cUL) recognized for indoor and outdoor applications. For specific recognition, consult UL file PGGU2.MH12627.**

### Product Construction

- **Carrier:** NA
- **Adhesive:** 2.0 Mil HSA440 Acrylic
- **Liner:** 1.2 mil easy PET/2.0 mil tight PET
- **Web Width:** 60"



### Features

- High performance acrylic adhesive
- Excellent shear properties
- 2 PET C1S Release Liners

### Benefits

- Excellent adhesion to a wide variety of substrates
- Maintains performance after heat & humidity exposure.
- Solvent & UV resistant
- Conformable
- Non-whitening & low odor
- Low ooze, easy to handle & die cut
- PET Liners provide smooth adhesive appearance.
- PH Neutral Adhesive

### Applications

- General purpose mounting & bonding applications
- Graphic Mounting & Display assembly
- Nameplates & Overlays
- Membrane switches
- Appliance
- Medical device assembly
- Laminating

IF4042-2PET Physical Properties			
Thickness	Mils		
Adhesive	2.0		
Liner	1.2/2.0		
Total Thickness	5.2		
Performance Test	Test Method	Typical Values	
Loop tack	PSTC-16	Lbs./in.	Oz/in.
Stainless Steel	Backed with 2 mil PET	6.0	96
Peel Adhesion Dwell Time/Substrate	PSTC-101-Method A	Lbs./in.	Oz/in.
30-min Stainless Steel	2 mil PET Backed	5.0	80
24-hr Stainless Steel		5.5	88
24-hr Polycarbonate		5.5	88
24-hr HDPE		2.7	43
Shear	PSTC-107-Method A	Hours to Fail	
1 kg weight	72°F	125+	
pH Testing	ISO18902	Neutral	
Photoactivity Testing (PAT)	ISO18916	Pass	

Values given are typical and not for use in specifications

#### SERVICE TEMPERATURE

Application: Above 50°F (10°C) for best performance  
 End Use: -40°F to 325°F (-40°C to 163°C)

#### APPLICATION DETAILS

For best performance surfaces must be clean, dry and free of any oil, grease or other contaminant.

#### SHELF LIFE

Two-year shelf life when stored at 75°F. (24°C.) and 50% relative humidity or less. It is recommended that the product be stored in its original package until ready to use.

**IMPORTANT NOTICE:** The information given and recommendations made herein are based on our research and are believed to be accurate. In every case, user shall determine before using any product in full scale production, whether such product is suitable for their particular purpose under their own operating conditions. User assumes all risk and liability whatsoever in connection with their use of any product. The products discussed herein are sold without any warranty as to merchantability or any other warranty, expressed or implied. No representative of ours has any authority to waive or change the foregoing provisions unless in a specific agreement signed by the officers of seller and manufacturer. Ultimately, sellers and manufacturers only obligation shall be to replace or credit such quantity of the product proved to be defective at its discretion.

™ Trademark of Morgan Adhesives Company LLC  
 © Registered Trademark of Morgan Adhesives Company LLC  
 www.Mactac.com



CALL **1-800-328-2619** for additional product information

**IMPORTANT NOTICE:** The information given and recommendations made herein are based on our research and are believed to be accurate. In every case, user shall determine before using any product in full scale production, whether such product is suitable for their particular purpose under their own operating conditions. User assumes all risk and liability whatsoever in connection with their use of any product. The products discussed herein are sold without any warranty as to merchantability or any other warranty, expressed or implied. No representative of ours has any authority to waive or change the foregoing provisions unless in a specific agreement signed by the officers of seller and manufacturer. Ultimately, sellers and manufacturers only obligation shall be to replace or credit such quantity of the product proved to be defective at its discretion.

<sup>TM</sup> Trademark of Morgan Adhesives Company LLC

® Registered Trademark of Morgan Adhesives Company LLC

[www.Mactac.com](http://www.Mactac.com)

