

## Macbond Arctic – Double Coated Tape ARTX1162

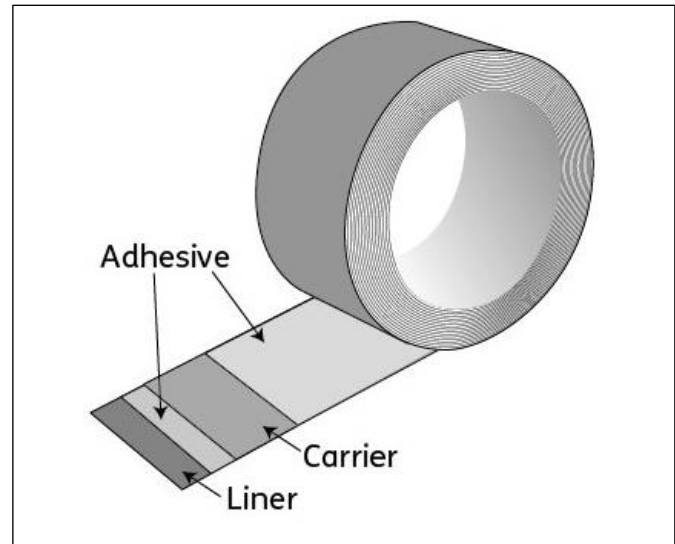
Version: 1  
Date: 1/2020  
Approved by: JNP

### Product Description

ARTX1162 consists of a .5mil PET carrier coated on both sides with 2.0 mils of Arctic MX10 rubber pressure sensitive adhesive. The adhesive is protected by a two-side silicone coated 72# white poly-coated Kraft liner. This product is designed for applications that require exceptional performance on low surface energy materials, cold or damp surfaces and foam bonding applications.

### Product Construction

- **Carrier:** 0.5 mil PET
- **Adhesive:** 2.0 mils Arctic MX10 Rubber
- **Liner:** 72# White PCK
- **Web Width:** 60"



### Features

- Aggressive cold-temperature rubber-based adhesive
- Good cohesive strength
- Dimensionally stable PCK liner.

### Benefits

- Minimum Application Temperature of -10°F/ -23°C
- Approved for direct food contact complies with FDA 175.125
- Low Surface Energy Adhesion
- Bonds well to all paper & corrugate materials, including wax coated corrugate.
- Exceptional performance on foams including: XLPE, EPDM, EVA and Polyurethane Materials.

### Applications

- Packaging
- Freezer Applications
- Insulation & sound damping applications
- Applications that require high tack in cold, wet conditions.
- General purpose bonding applications.

ARTX1162 Physical Properties			
Thickness	Mils Liner/Unwind		
Adhesive	2.0/2.0		
Carrier	0.5		
Liner	5.2		
Total Thickness	9.7		
Performance Test	Test Method	Typical Values	
Loop Tack	PSTC-16	Lbs./in. (Liner/Unwind)	Oz/in. (Liner/Unwind)
Backed with 2 mil PET	Stainless Steel	8.8/6.7	141/107
	HDPE	4.4/3.5	64/56
Peel Adhesion 2 mil PET Backed	PSTC-101-A	Lbs./in. (Liner/Unwind)	Oz/in. (Liner/Unwind)
30-minute Dwell	Stainless Steel	7.6/6.1	121.6/97.6
30-minute Dwell	HDPE	7.3/6.4	116.8/102.4
Shear	PSTC-107	Hours to Fail	
1 kg weight	72°F	75+	

Values given are typical and not for use in specifications

#### SERVICE TEMPERATURE

Minimum Application: -10° (-23°C)

Service Range: -65°F to 150°F (-54°C to 65.5°C)

#### APPLICATION RECOMMENDATIONS

For best performance, surface must be free of oil, grease or other contaminants.

#### SHELF LIFE

One-year shelf life when stored at 75°F. (24°C.) and 50% relative humidity or less. It is recommended that the product be stored in its original package until ready to use.

CALL **1-800-255-9733** for additional product information

**IMPORTANT NOTICE:** The information given and recommendations made herein are based on our research and are believed to be accurate. In every case, user shall determine before using any product in full scale production, whether such product is suitable for their particular purpose under their own operating conditions. User assumes all risk and liability whatsoever in connection with their use of any product. The products discussed herein are sold without any warranty as to merchantability or any other warranty, expressed or implied. No representative of ours has any authority to waive or change the foregoing provisions unless in a specific agreement signed by the officers of seller and manufacturer. Ultimately, sellers and manufacturers only obligation shall be to replace or credit such quantity of the product proved to be defective at its discretion.

™ Trademark of Morgan Adhesives Company LLC

® Registered Trademark of Morgan Adhesives Company LLC

www.Mactac.com

