

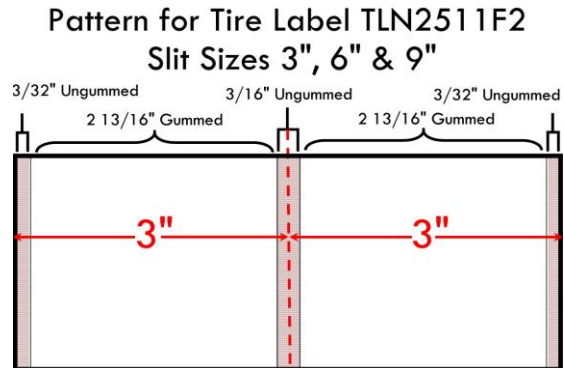
## TLN2511F2

Revised: 07/2019 CNS

### Thermal Transfer Film Tire Label

**Description** Please Note for Pattern Coated Products: Adhesive coating width tolerance is +/- 1/16"; Slitting in ungummed area is +/- 1/16"; Total Roll Slit width tolerance remains standard at 1/32"

**Product** TLN2511F2 is a specially designed label construction for the rubber and tire industry. The pattern coated pressure sensitive adhesive (alternating pattern of 2.8125" gummed, 0.1875" ungummed) provides excellent adhesion to rubber.



**Applications** Tire and difficult substrate labeling

**Face** A bright white BOPP film designed for thermal transfer as well as flexo printing.

**Physical Properties Without Adhesive**

Caliper, inches	0.003 +/- 10%	TAPPI T-411
Brightness	92% Min	TAPPI T-525
Tensile, kg Min	9 MD 16 CD	TAPPI T-494

**Adhesive** MP725 is a rubber based permanent adhesive formulated to provide excellent adhesion to tires as well as good adhesion to many other difficult substrates. The heavier coat weight of adhesive allows for good flow characteristics which permit adhesion to most rough textured surfaces.

**Physical Properties of Adhesive**

Thickness, inches	0.0018 +/- 10%	
Peel Adhesion, lbs./in.	3.1	PSTC-101A (30 min. applied)
Loop Tack (1") lbs./in.	5.5	PSTC-2
Temperature Ranges		
Minimum Application	+20°F (-7°C)	CTM #45 Curwood
Service Ranges	-65°F to +160°F (-54°C to +71°C)	Polyester Film. Dry Surface

**Liner** A semi-bleached kraft liner excellent for die cutting, stripping and label dispensing. Primarily for roll-to-roll applications.

Caliper, inches	0.0032 +/- 10%	TAPPI T-411
Basis Weight, lbs. (24" x 36"/500 sheets)	50 +/- 10%	TAPPI T-410

**Shelf Life** One year when stored at 72° F and 50% R.H.

This product complies with CONEG regulations.  
All Mactac Roll Label products meet the requirements of the Clean Air Act of 1990.

The user is responsible for determining the product's suitability for all aspects of the applications. If there are any questions about applications, or regulatory compliances, please contact your Mactac sales representative to discuss your requirements for recommendations. If this is a printed Performance Guide, it is an uncontrolled document. Please check the Mactac website for the latest, most up-to-date version at [www.mactac.com](http://www.mactac.com)

**IMPORTANT NOTICE:** The information given and the recommendations made herein are based on our research and are believed to be accurate, but no guarantee of their accuracy or completeness is made. In every case, user shall determine before using any product in full scale production, or in any way, whether such product is suitable for user's intended use for their particular purpose under their own operating conditions. User assumes all risk and liability whatsoever in connection with their use of any product. The products discussed herein are sold without any warranty as to merchantability or fitness for a particular purpose, or any other warranty, express or implied. No representative of ours has any authority to waive or change the foregoing provisions, and no statement or recommendation not contained herein shall have any force of effect unless in an agreement signed by the officers of seller and manufacturer. Nothing contained herein shall be construed to imply the nonexistence of any relevant patents or to constitute a permission, inducement or recommendation to practice any invention covered by any patent without authority from the owner of the patent. The following is made in lieu of all warranties, express or implied: Seller's and manufacturer's only obligation shall be to replace or credit such quantity of the product proved to be defective at its discretion.

<sup>TM</sup> Trademark of Morgan Adhesives Company.

<sup>®</sup> Registered Trademark of Morgan Adhesives Company.

