

CleanBond™ LOW VOC Double Coated Tape – 2 Liners

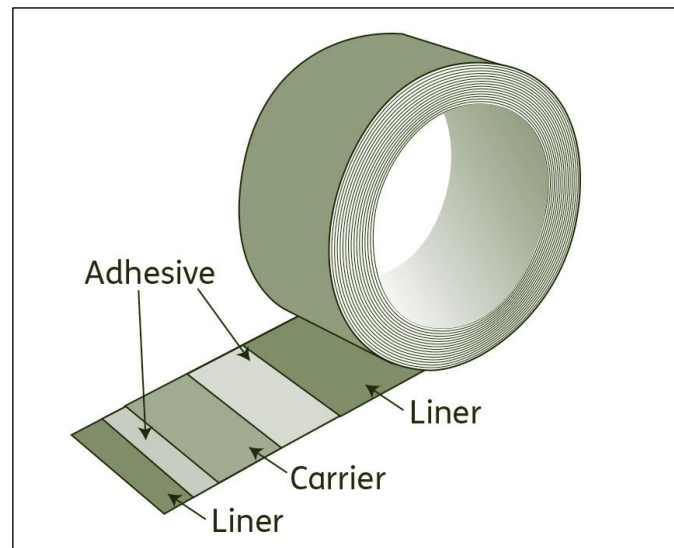
Version: 2
Date: 5/2019
Approved by: JNP

Product Description

CB4190-2PET consists of a .5mil PET carrier coated on both sides with 1.2 mils of clean, high shear acrylic adhesive with moderate peel and tack. The adhesive is protected by two 2.0 mil clear PET liners. This product is designed for applications that benefit from a clean, chemically inert adhesive tape.

Product Construction

- **Carrier:** 0.5 mil PET
- **Adhesive:** 1.2 mils LV840 LOW VOC Acrylic
- **Liners:** Two – 2mil Clear PET
- **Web Width:** 60"



Features

- Low VOC –JIS A-1901
- Low FOG - VDA278
- ISO 18916 Approved
- High Shear acrylic adhesive
- Moderate Peel & Tack

Benefits

- Acid free, PH Neutral
- Non-outgassing and non-migratory
- Smooth adhesive profile
- Excellent adhesion to a wide variety of surfaces.
- Chemical & UV resistant
- Excellent handling and die-cutting.
- Non-corrosive & non-oxidizing

Applications

- Insulation and Shielding
- Wire harnessing
- Interior applications that require low VOC and low FOG characteristics
- Flexible Printed Circuits
- Printed Circuit Boards
- Archiving, photo mounting

CB4190-2PET Physical Properties			
Thickness	Mils Liner/Unwind	MM Liner/Unwind	Microns Liner/Unwind
Adhesive	1.2/1.2	.0305/.0305	30.5/30.5
Carrier	0.5	.0127	12.7
Liners	4.0	.1016	101.6
Total Thickness	6.9	.1753	175.3
Performance Test	Test Method	Typical Values	
Loop tack	PSTC-16-Method A	Lbs./in.	Oz/in.
Stainless Steel	Backed with 2 mil PET	4.5	72
Peel Adhesion - 180° 2 mil PET Backed	PSTC-101-Method A	Lbs./in.	Oz/in.
30 minute dwell	Stainless Steel	3.5	56
24 hour dwell	Stainless Steel	4.5	72
Shear	PSTC-107-Method A	Hours to Fail	
1 kg weight	72°F	300+	
Tensile	ASTM-D882	Lbs./in.	Oz./in.
MD/CD		10	160
Elongation	ASTM-D882	%	
MD		100	

Values given are typical and not for use in specification

Foam Bonding Performance

IMPORTANT NOTICE: The information given and recommendations made herein are based on our research and are believed to be accurate. In every case, user shall determine before using any product in full scale production, whether such product is suitable for their particular purpose under their own operating conditions. User assumes all risk and liability whatsoever in connection with their use of any product. The products discussed herein are sold without any warranty as to merchantability or any other warranty, expressed or implied. No representative of ours has any authority to waive or change the foregoing provisions unless in a specific agreement signed by the officers of seller and manufacturer. Ultimately, sellers and manufacturers only obligation shall be to replace or credit such quantity of the product proved to be defective at its discretion.

™ Trademark of Morgan Adhesives Company LLC
 ® Registered Trademark of Morgan Adhesives Company LLC
 www.Mactac.com



VOC Analysis Method: JIS-A 1801		
Substance	Values not to exceed [$\mu\text{g}/\text{m}^3$]	CB4180-80
Formaldehyde	100	6.1
Acetaldehyde	48	5.7
Toluene	260	*
Xylenes	870	1.4
p-Dichlorobenzene	240	*
Ethylbenzene	3800	*
Styrene	220	*
Chlorpyrifos	1	*
Di-2-ethylhexyl phthalate	120	*
Diazinon	.29	*
Nonanal	41	*
Fenobucarb	33	*

* Below Detection Limits

Fog Analysis Method: VDA278	Specification Requirements [$\mu\text{g}/\text{g}$]	CB4180-80
FOG	< 250	30

SERVICE TEMPERATURE

Application: Above 50°F (10°C) for best performance
 End Use: -40°F to 300°F (-40°C to 121°C) depending on laminate construction and end use application

APPLICATION DETAILS

For best performance surfaces must be clean, dry and free of any oil, grease or other contaminant.

SHELF LIFE

Two year shelf life when stored at 75°F. (24°C.) and 50% relative humidity or less. It is recommended that the product be stored in its original package until ready to use.

CALL **1-800-328-2619** for additional product information

IMPORTANT NOTICE: The information given and recommendations made herein are based on our research and are believed to be accurate. In every case, user shall determine before using any product in full scale production, whether such product is suitable for their particular purpose under their own operating conditions. User assumes all risk and liability whatsoever in connection with their use of any product. The products discussed herein are sold without any warranty as to merchantability or any other warranty, expressed or implied. No representative of ours has any authority to waive or change the foregoing provisions unless in a specific agreement signed by the officers of seller and manufacturer. Ultimately, sellers and manufacturers only obligation shall be to replace or credit such quantity of the product proved to be defective at its discretion.

™ Trademark of Morgan Adhesives Company LLC
 © Registered Trademark of Morgan Adhesives Company LLC
 www.Mactac.com

